

## *Giles Island Deli Case*

### *Model GIDC Double Tier*



Model: GIDC-6DT

The **Giles Island Deli Case (GIDC)** is designed to maximize visibility of packaged product while keeping them fresh and at the proper serving temperature waiting for your customers to enjoy. Available in 6ft or 4ft models.

The **GIDC** has been developed with product showcasing in mind. To maximize product space, the seamless, heated glass provides an even temperature across the entire glass surface. Deli personnel can place up to 42 pre-cooked packaged whole chickens for self service in the GIDC. No matter where you place the GIDC, in the deli or elsewhere in the store, it will help increase impulse sales of your product.

### *Design Features*

#### **GDIC Standard Features**

- Energy efficient fluorescent lights provide superior illumination
  - An evenly heated glass surface has no cool zones
- Seamless flat glass tops provide an easy to clean surface
  - Independent controls for each tier
  - Protective bumper around display
- Locking 4" casters ensure unit mobility

### *Listings*



#### **Giles Foodservice Equipment**

An ISO 9001 Registered Company

2750 Gunter Park Drive West • Montgomery, AL 36109 USA

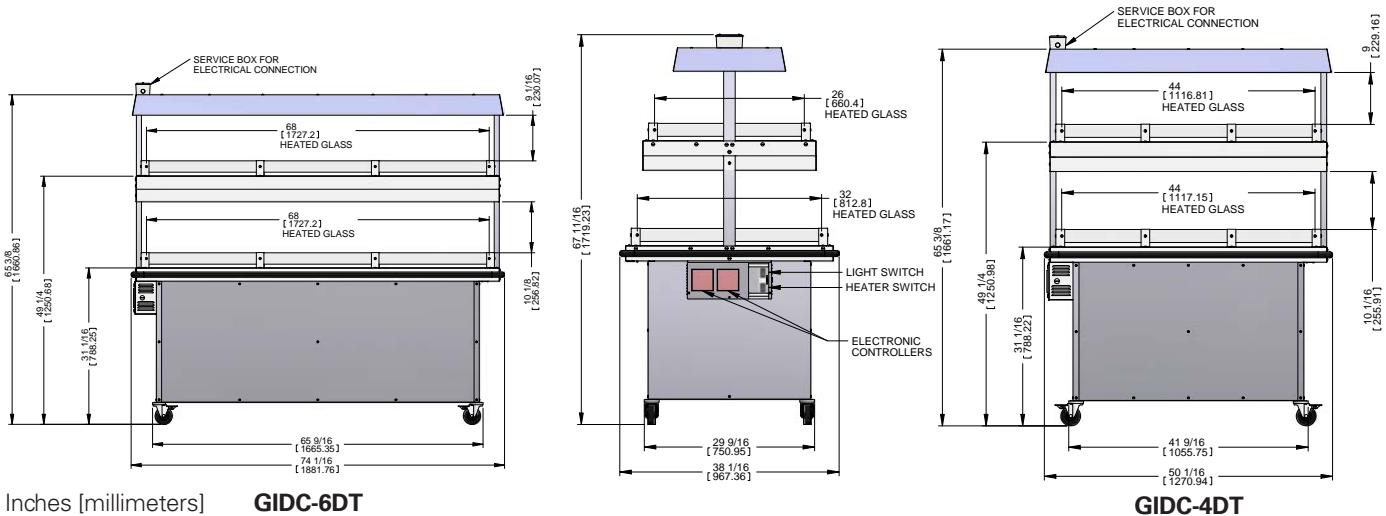
334.272.1457 • Fax 334.272.3561 • Phone Toll Free 1.800.554.4537

Web Site: [www.gilesent.com](http://www.gilesent.com) • Email: [info@gilesent.com](mailto:info@gilesent.com)

# Heated Deli Case

## Model GIDC Double Tier

Item No.: \_\_\_\_\_  
 Quantity: \_\_\_\_\_  
 Project Name: \_\_\_\_\_  
 SIS#: \_\_\_\_\_  
 AIA/CSI#: \_\_\_\_\_



Inches [millimeters] **GIDC-6DT**

**GIDC-4DT**

### Specifications

We reserve the right to change specifications and product design without notice. Such revisions do not entitle the buyer to corresponding changes, improvements additions or replacements on previously purchased equipment.

#### Construction:

Cabinet: 18Ga Stainless Steel  
 Shelves: 5/32" Tempered Glass

#### Dimensions:

**GIDC-6DT:** 74-1/16" Width X 38-1/16" Depth X 67-11/16" Height  
 [1882 mm X 967 mm X 1719 mm]

**GIDC-4DT:** 50-1/16" Width X 38-1/16" Depth X 67-11/16" Height  
 [1271 mm X 967 mm X 1719 mm]

#### Electrical Specifications :

208 or 240 VAC / 60hz / 1 phase  
 GIDC-6DT Amps: 208 VAC: 15.0 Amps @ 3.2 kw  
 240 VAC: 18.5 Amps @ 4.1 kw  
 GIDC-4DT Amps: 208 VAC: 11.2 Amps @ 2.3 kw  
 240 VAC: 16.6 Amps @ 3.0 kw  
 (Cord & Circuit Breaker Not Supplied)

#### Listings:

ETL Canada/United States, ETL Sanitation, CE

#### Product Designation:

GIDC-6DT  
 GIDC-4DT

#### Shipping Specifications:

Crated Weight:  
 GIDC-6DT: 376 lbs [171 kg]  
 GIDC-4DT: 326 lbs [148 kg]

#### GIDC-6DT:

Crated Cube Size: 81" X 47" X 78" = 172 cu ft  
 [2057 mm X 1194 mm X 1981 mm = 4.8 cu meters]

#### GIDC-4DT:

Crated Cube Size: 57" X 47" X 78" = 121 cu ft  
 [1448 mm X 1194 mm X 1981 mm = 3.4 cu meters]

### Accessories Included

GIDC-6DT is shipped with: (24) 13 Watt Fluorecent Light Bulbs and (1) Operations Manual

GIDC-4DT is shipped with: (16) 13 Watt Fluorecent Light Bulbs and (1) Operations Manual

### How To Specify

#### 1. Models

Specify the part number from the following:

	Voltage	Hz	Phase	Model
<input type="checkbox"/>	208/240	60	1	GIDC-6DT
<input type="checkbox"/>	208/240	60	1	GIDC-4DT

#### 2. Accessories\*

Specify the part number and quantity of the following accessory items needed:

	Qty	Description	Part Number
<input type="checkbox"/>		Fluorecent Bulb, 13 Watt	20395

(\* Additional Charges)

#### 3. Shipping

Specify the shipping method

### Giles Foodservice Equipment

2750 Gunter Park Drive West • Montgomery, AL 36109 USA  
 334.272.1457 • Fax 334.272.3561 • Phone Toll Free 1.800.554.4537  
 Web Site: www.gilesent.com • Email: info@gilesent.com