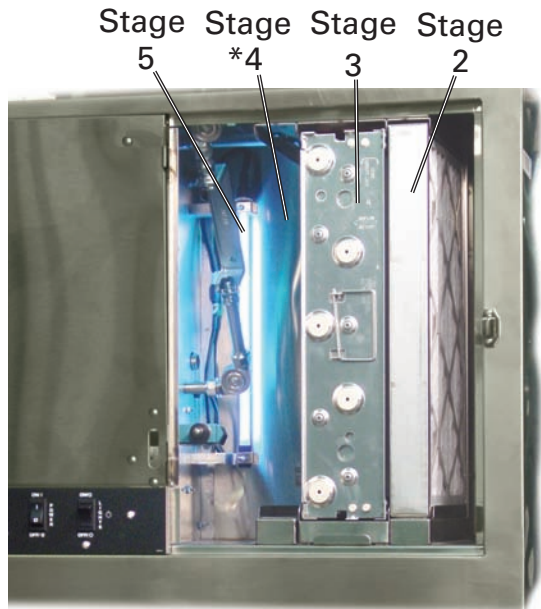




- The innovative design of the Giles Environmental Hood allows food service operators to clean the air exhausted into the environment. Not only are contaminants and particles captured, keeping air clean, but roof and building exterior are kept cleaner as well.
- The Giles Environmental Hood is a one-of-a-kind, type 1, stainless steel unit, which incorporates our patented Electrostatic Air Cleaner and patent pending Ultra Violet light, to provide vapor removal requirements for various models of equipment.
- The fire suppression system used in the Giles Environmental Hood is an Ansul R-102A fire suppression system. Final installation, charging and testing of the system must be performed by an authorized Ansul distributor. Our system contains piping, nozzles (appliance and plenum), and conduit for routing the fusible link cable through the hood.

Design Features



Environmental Hood System

This Environmental Hood consists of a built-in Fire Suppression System and a Five stage Air Purification System.

- Stage *1.** Two Stainless Steel Baffle Filters trap large grease particles.
- Stage 2.** Two Disposable Pre-Filters trap smaller grease particles.
- Stage 3.** Two Electrostatic Air Cleaning (EAC) Filters use ionizers to charge particles of dirty air allowing them to be collected by an electrostatic force.
- Stage *4.** Two Disposable Charcoal Filters help eliminate odor.
- Stage 5.** Two Ultra Violet Lamps help eliminate any remaining grease laden vapors and improve emission control.

(* Not Shown)

Listings



Giles Foodservice Equipment

An ISO 9001 Registered Company

2750 Gunter Park Drive West • Montgomery, AL 36109 USA

Phone 334.272.1457 • Fax 334.272.3561 • Phone Toll Free 1.800.554.4537

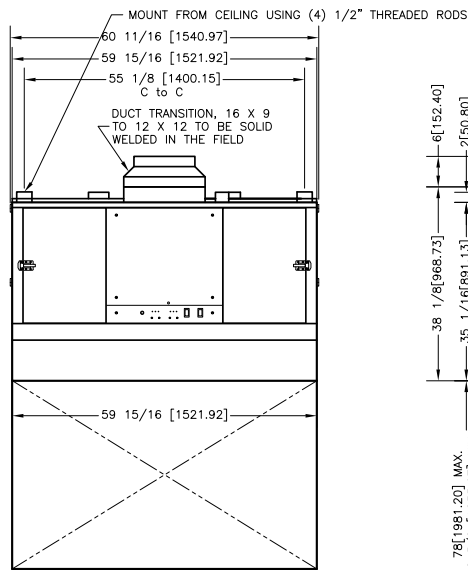
Web Site: www.gilesent.com • Email: info@gilesent.com

Environmental Hood

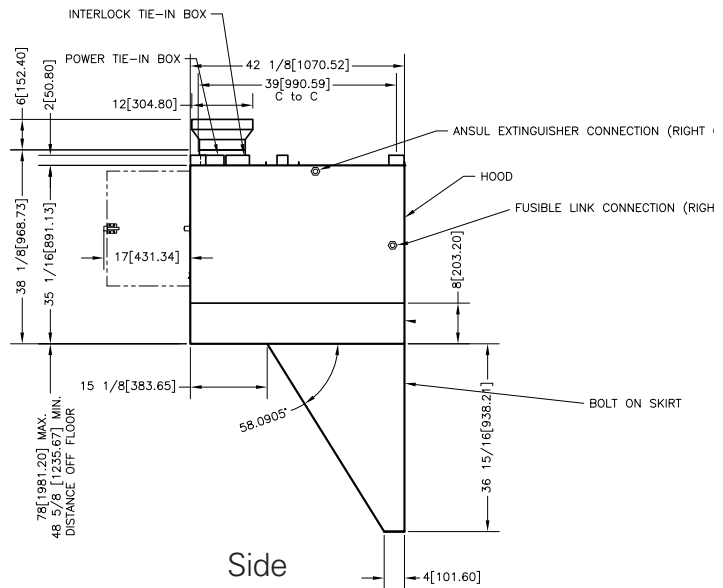
Model EH-5



Item No.: _____
 Quantity: _____
 Project Name: _____
 SIS#: _____
 AIA/CSI#: _____



Front



Side

Inches [millimeters]

Specifications

We reserve the right to change specifications and product design without notice. Such revisions do not entitle the buyer to corresponding changes, improvements additions or replacements on previously purchased equipment.

Construction:

20Ga to 18Ga Stainless Steel

Dimensions:

Width: 60-11/16" [1547 mm]

Depth: 42-1/8" [1071 mm]

Height: 81-1/16" [2059 mm]

Environmental Hood:

Uncrated Weight: 464 lbs [211 kg]

Recommended Exhaust 970 CFM

Electrical Specifications:

Available voltages: 208/240

1 phase - 208/240V - 8/8/8 AMPS

(No service cord provided)

Product Designation:

EH-5 (see "How to Specify" below)

Shipping Specifications:

Crated Weight: 664 lbs [302 kg]

Crated Cube Size: 82" X 56" X 50" = 132.87 cu ft

[2082mm X 1422mm X 1270mm = 3.762 cu meters]

Accessories Included

Unit is shipped with (2) Baffle Filters, (2) Pre-Filters, (2) EAC Filters, (2) Charcoal Filters, (2) UV Lamps, (2) EAC Soak Tanks and (1) Manual.

How To Specify

1. Location

Ensure the location you are installing the Environmental Hood meets the proper clearances specified above.

2. Electrical Specifications

Determine the electrical specifications from the available Voltages, Hz., and Phase.

	Model	Volts	Hz	UV	Part No.
<input type="checkbox"/>	EH-5	208	60	No	79699
<input type="checkbox"/>	EH-5	240	60	No	79700
<input type="checkbox"/>	EH-5	208	60	Yes	71334
<input type="checkbox"/>	EH-5	240	60	Yes	71333

3.

Accessories (additional charges)

Specify the part number and quantity of the following accessory items needed:

	Qty	Description	Part Number
<input type="checkbox"/>		Pre-Filter	46762
<input type="checkbox"/>		EAC Filter (Left-side)	20521
<input type="checkbox"/>		EAC Filter (Right-side)	20520
<input type="checkbox"/>		Charcoal Filter	32056
<input type="checkbox"/>		Ultra Violet Lamp	90226

4. Shipping

Specify the shipping method

Giles Foodservice Equipment

2750 Gunter Park Drive West • Montgomery, AL 36109 USA
 Phone 334.272.1457 • Fax 334.272.3561 • Phone Toll Free 1.800.554.4537
 Web Site: www.gilesent.com • Email: info@gilesent.com