

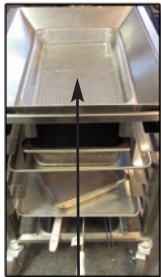
## Giles Xpress-peditor Model LT-4 Landing Table System



The versatile **Xpress-peditor Landing Table System** features a multi-functional piece of foodservice support equipment that serves various needs in a busy kitchen and serving area.

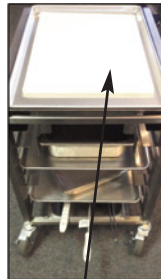
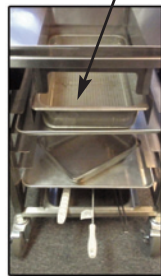
- Portable Dump Station - easily dump cooked product directly into a serving/display pan, **reduces spillage and waste.**
- Use as a **FIFO rotation system** - place pan of fresh cooked product on rack beneath funnel ... transport to point of sale ... dump older unsold product on top of new (FIFO) and place full pan for serving.
- Place a sheet pan on top of cart to create portable work surface. Put a cutting board in the pan for prep work ... drippings and scrap are contained in the pan.
- Place additional sheet pans on the lower racks to provide more space for fresh food pans or soiled items.
- Swivel locking casters provide easy 4-way maneuverability and can be locked to create a stationary work table.
- Durable stainless steel construction; racks & funnel are easily disassembled without tools for clean-up.
- Multi-functional ... saves space in a crowded kitchen.

### Design Features



Nest full or half pan in funnel ... dump cooked product directly to pan for serving.

**FIFO rotation system** ... place full pan of fresh product under funnel & transport to point of sale ... dump unsold product on top, then place new pan serving.



Put an 18x26 sheet pan on top & use as a transport cart or extra counter space; add a 15x20 cutting board & use as a prep table. Drippings and scrap are contained in the pan, making clean-up quick and easy.

Use lower racks to transport fresh items to the point of sale and to return used and soiled items back to the kitchen.



Countertop version of the **Xpress-peditor** is available. It utilizes only the funnel to provide an operator the functionality of the **LT-4** without the cart. Specify **LT-4-C**

### Listings



### Giles Foodservice Equipment

ISO 9001 Registered Company • Committed to Quality



P.O. Box 210247 • 2750 Gunter Park Drive West • Montgomery, AL 36121-0247 USA

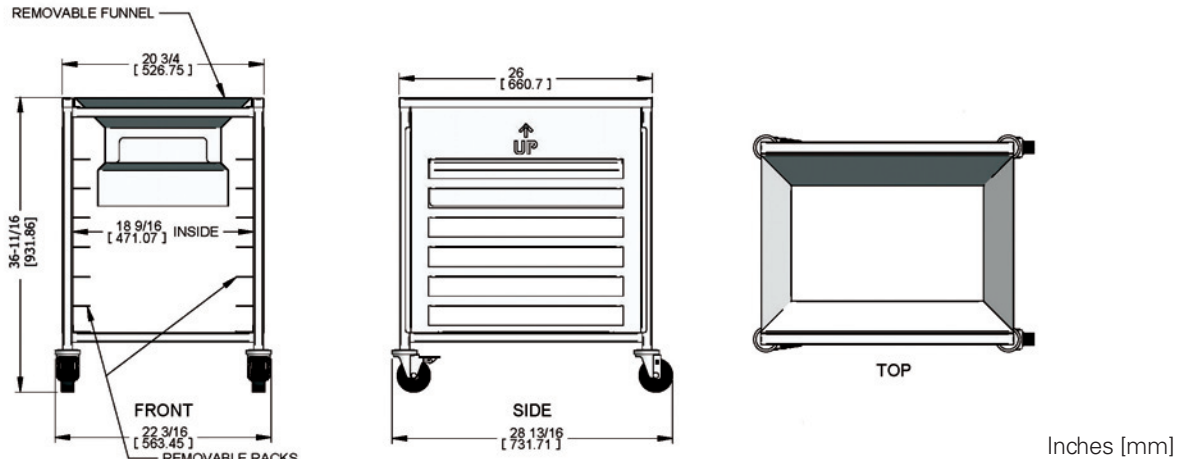
334.272.1457 • Fax 334.239.4117 • Phone Toll Free: 800.554.4537

Web Site: [www.gfse.com](http://www.gfse.com) • Email: [services@gfse.com](mailto:services@gfse.com)

# Giles Xpress-peditor

## Model LT-4 Landing Table System

Item No.: \_\_\_\_\_  
 Quantity: \_\_\_\_\_  
 Project Name: \_\_\_\_\_  
 SIS#: \_\_\_\_\_  
 AIA/CSI#: \_\_\_\_\_



### Specifications

Giles reserves the right to change specifications and/or product design without notice. Such revisions do not entitle the buyer to corresponding changes, improvements, additions or replacements for previously purchased equipment.

#### Construction:

Cart: 16-Ga Welded Stainless Steel Tube  
 Shelf Racks & Funnel: 16-Ga Stainless Steel

**Listings:** NSF

**Product Designation:** LT-4, LT-4-C

#### Dimensions:

Width: 22-3/16" [563 mm]  
 Depth: 28-13/16" [732 mm]  
 Height: 36-11/16" [932 mm]  
 Floor Space Consumed: 4.4 sq ft [.41 sq m]

#### Shipping Specifications:

Crated Weight: 80 lbs [36.3 kg]  
 Crated Cube Size: 29-1/4" X 21-1/2" X 39" = 14.2 cu ft  
 [743 mm X 546 mm X 961 mm = .4 cu m]

### Accessories Included:

**Floor Model:** Sheet Pan, Glazing Screen, 4" Full Pan, 2-1/2" Full Pan, Cutting Board, (2) Pan Grates

**Counter-Top Model:** Sheet Pan, 2-1/2" Full Pan, Cutting Board, (1) Pan Grate

### How To Specify

- Models:**  
Specify part number from the following:

✓	Qty	Model	Part Number
		LT-4 (Floor Model)	71545
		LT-4-C (Counter-Top Model)	71577

- Accessories (additional charge):**  
Specify part number and quantity of accessory items needed:

✓	Qty	Description	Part Number
		Glazing Screen	77175
		Sheet Pan, 18 x 26	78602
		Full Pan, 4" Deep	76175
		Full Pan, 2-1/2" Deep	76024
		Cutting Board, 15 x 20 x 1/2	41131
		Grate, Full Pan	76207

- Shipping:**  
Specify preferred shipping method

### Giles Foodservice Equipment

P.O. Box 210247 • 2750 Gunter Park Drive West • Montgomery, AL 36121-0247 USA  
 334.272.1457 • Fax 334.239.4117 • Phone Toll Free: 800.554.4537  
 Web Site: www.gfse.com • Email: services@gfse.com