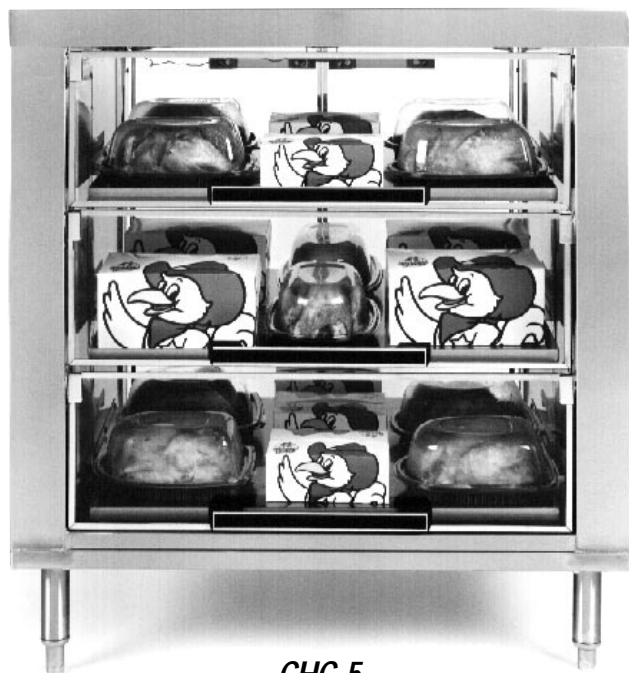


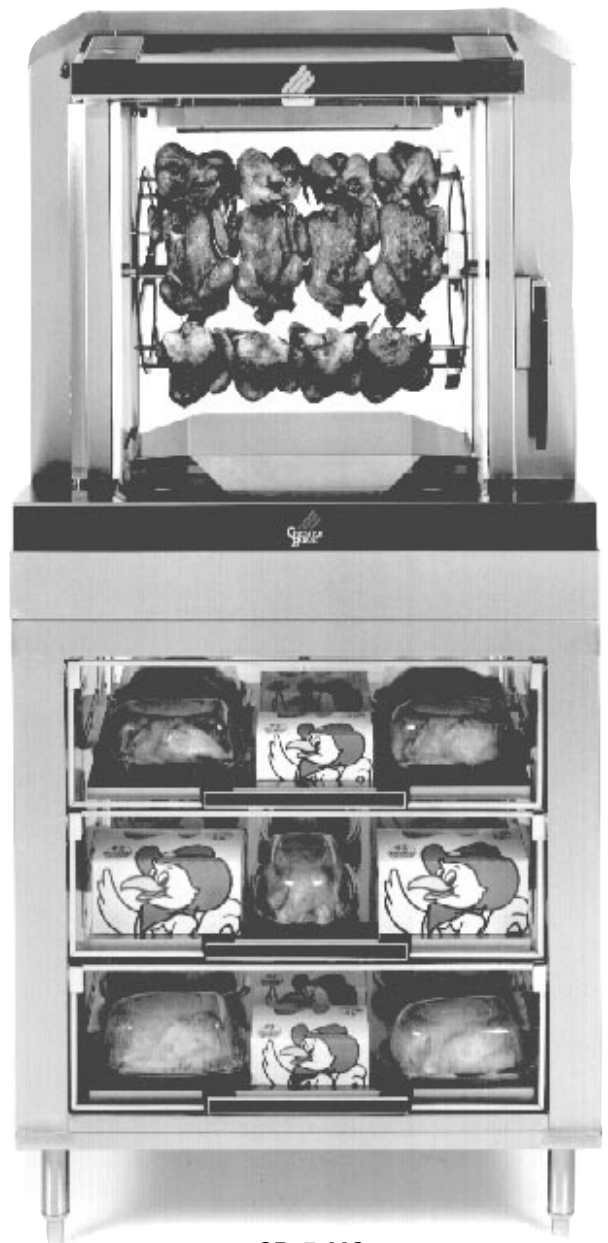


Operations and Service Manual

Model CR-5-HC and CHC-5



CHC-5



CR-5-HC



Chester Fried A Division of Giles Enterprises, Inc.

P.O. Box 210247 • 2750 Gunter Park Drive West • Montgomery, AL 36121-0247 USA • (334) 272-3528

SERVICE HOTLINE 1-800-288-1555 (USA and Canada only) • FAX (334) 272-3561

Form No. 65968 (1/98)



Safety Precautions

FOR YOUR SAFETY

Do not store or use gasoline or other flammable vapors and liquids in the vicinity of this or any other appliance!



Warning!!



Improper installation, adjustment, alteration, service or maintenance can cause property damage, injury or death. Read the installation, operating and maintenance instructions thoroughly before installing or servicing this equipment.

POST IN A PROMINENT LOCATION



Table of Contents

- I **Introduction**..... 2

- 1 **Installation Instructions**
 - 1 - 1 Installation Instructions..... 3
 - 1 - 2 Uncrating the Holding Cabinet 4
 - 1 - 3 Electrical Requirements..... 4

- 2 **Operating**
 - 2 - 1 Operating Procedure 5

- 3 **Holding Cabinet**
 - 3 - 1 Holding Cabinet Components and Their Function..... 6
 - 3 - 2 Holding Cabinet Figure 1 7

- 4 **Shelf Assembly**
 - 4 - 1 Shelf Assembly Illustration..... 9

- 5 **Parts**
 - 5 - 1 Parts List 10
 - 5 - 2 Parts Ordering and Services Information..... 11

- 6 **Wiring**
 - 6 - 1 Wiring List..... 12
 - 6 - 2 Wiring Diagram 13



Introduction

Congratulations on the purchase of your new Chester Fried Holding Cabinet. This unit is available as a free standing unit or for use with the Chester fried CR5 Rotisserie. With proper care and maintenance this unit could provide you with years of trouble-free service.

To help protect your investment in this cooking equipment, we recommend you take a few moments to familiarize yourself with the installation, and maintenance procedures contained in this manual. Adherence to these recommended procedures minimizes the potential for costly “Down-Time” and equipment repairs.



Installation Instructions

1 - 1 Installation Instructions

This section provides a summary of the procedures necessary for proper installation of your Chester Fried Holding Cabinet. To prevent personal injury or equipment damage, please ensure the following steps are taken:

! For your safety **DO NOT** store or use gasoline or other flammable vapors and liquids in the vicinity of this or any other appliance!

1. When used with a rotisserie, keep the appliance 6" (15.2cm) from combustible materials on the front and 1" (2.54cm) from combustible materials on the sides.
2. When installed without a rotisserie, there is a zero clearance to combustibles.
3. Please note the wiring diagrams for this appliance are located at the rear of the Manual, Section 6.
4. Please ensure this appliance is electrically grounded in accordance with local codes, or in the absence of local codes, with the National Electrical Code, ANSI./NFPA. 70-1984.
5. Please provide adequate room for servicing and proper operation of this appliance. Also provide adequate ventilation in the operating area where necessary.
6. Always consult with an electrician or other qualified individuals prior to installation.
7. Ensure voltage and amperage supplied to the unit are as specified on the rating plate.
8. The power cord plug must be accessible after the appliance is installed.
9. If the cord is damaged, it must be replaced by the manufacturer, its service agent or a similarly qualified person, in order to avoid a hazard.

IMPORTANT NOTE

The only rotisserie approved for use with your CR-5-HC Holding Cabinet is the Chester Fried CR-5 Rotisserie.

! **DO NOT Modify, Alter or Add Attachments to This Equipment!**

10. If wired for rotisserie, route wiring through 1 1/4" diameter tubing, on the top of the cabinet, to the junction box on the bottom of the cabinet. (wiring not included)
11. Attach power supply line to junction box.
12. Please retain this manual for future use.

The above steps should help to ensure safe and proper installation of your CR-5-HC/CHC-5 Holding Cabinet. If you have any questions concerning these procedures, contact your local Chester Fried representative or other qualified service person.



Installation Instructions

Installation Instructions Cont.

1 - 2 Uncrating the Holding Cabinet

Your Chester Fried Holding Cabinet may arrive enclosed by a wooden crate. The Holding Cabinet is secured to a wooden platform by means of high-tensile strength strapping.

1. Carefully cut and remove the plastic shipping wrap and the strapping mentioned above.
2. Use a hammer and a prybar to remove the wooden crate around the Holding Cabinet. Be careful not to damage the Holding Cabinet.
3. Carefully remove the Holding Cabinet from the shipping platform. Your new Holding Cabinet is extremely heavy and great care should be taken in lifting or moving the unit to prevent personal injury or equipment damage.

1 - 3 Electrical Requirements

WARNING

Equipment must be adequately and properly grounded. Improper grounding may result in electrical shock. Always refer to your local electrical code to ensure proper grounding of this or any other equipment. Always consult with an electrician or other qualified service person to ensure breakers and wiring are of sufficient rating and gauge for the equipment being operated.

Check the rating plate on the rear of the unit to determine the correct power supply.



Operating Instructions

2 - 1 Operating Procedure

1. Press the Power Switch to the "ON" position.
2. Rotate the Knob Clockwise on the Temperature Controller to 200°F (93°C).
3. Allow the unit to heat for approximately two (2) Hours or until the thermometer reads 150°F (66°C).
4. Rotate the Knob Counter-Clockwise to approximately 180°F (82°C) or until the thermometer stabilizes at 150°F to 160°F (66° to 77°C).



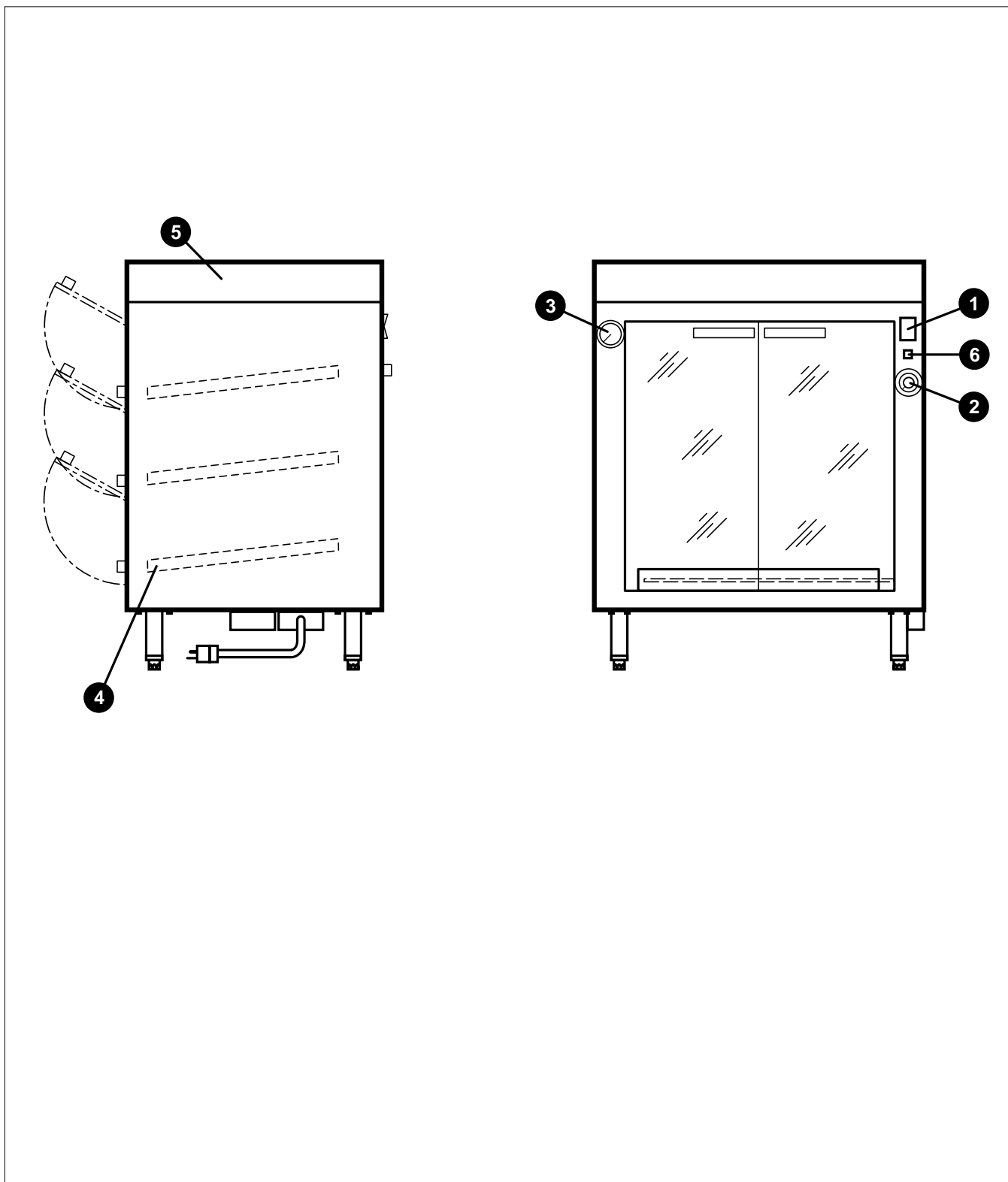
Holding Cabinet Models CR-5-HC and CHC-5

3 - 1 Holding Cabinet Components and Their Function

<i>ITEM</i>	<i>DESCRIPTION</i>	<i>FUNCTION</i>
1. Fig. 1	Power Switch	The Power Switch is a two position Rocker Switch that powers the Heating Elements and the Lights. Press the Switch to the "ON" position to Operate.
2. Fig. 1	Temperature Control	The Temperature Controller is a Variable Controller that ranges in temperature from 100°F (38°C) to 200°F (93°C). To increase the temperature setting, rotate the Knob Clockwise.
3. Fig. 1	Thermometer	The Thermometer reads the temperature of the Cabinet at the lower shelf. The Controller should be set so the internal temperature of the Cabinet maintains a temperature of 150°F (66°C).
4. Fig. 1	Shelving	The Shelves are removable for ease of cleaning. Removable partitions are included to allow for separation of products.
5. Fig. 1	Rotisserie Skirt (Rotisserie Kit Only)	The Skirt holds the Rotisserie in the proper location on the Holding Cabinet and allows for the Rotisserie power supply to be routed through the Holding Cabinet. It is easily installed or removed to allow the Cabinet to be used with or without a Rotisserie. (The Holding Cabinet is approved for use with a Chester Fried CR-5 Rotisserie only.)
6. Fig. 1	Pilot Light	The Pilot Light is lit whenever the Heating Element is on.

Holding Cabinet Models CR-5-HC and CHC-5

Figure 1



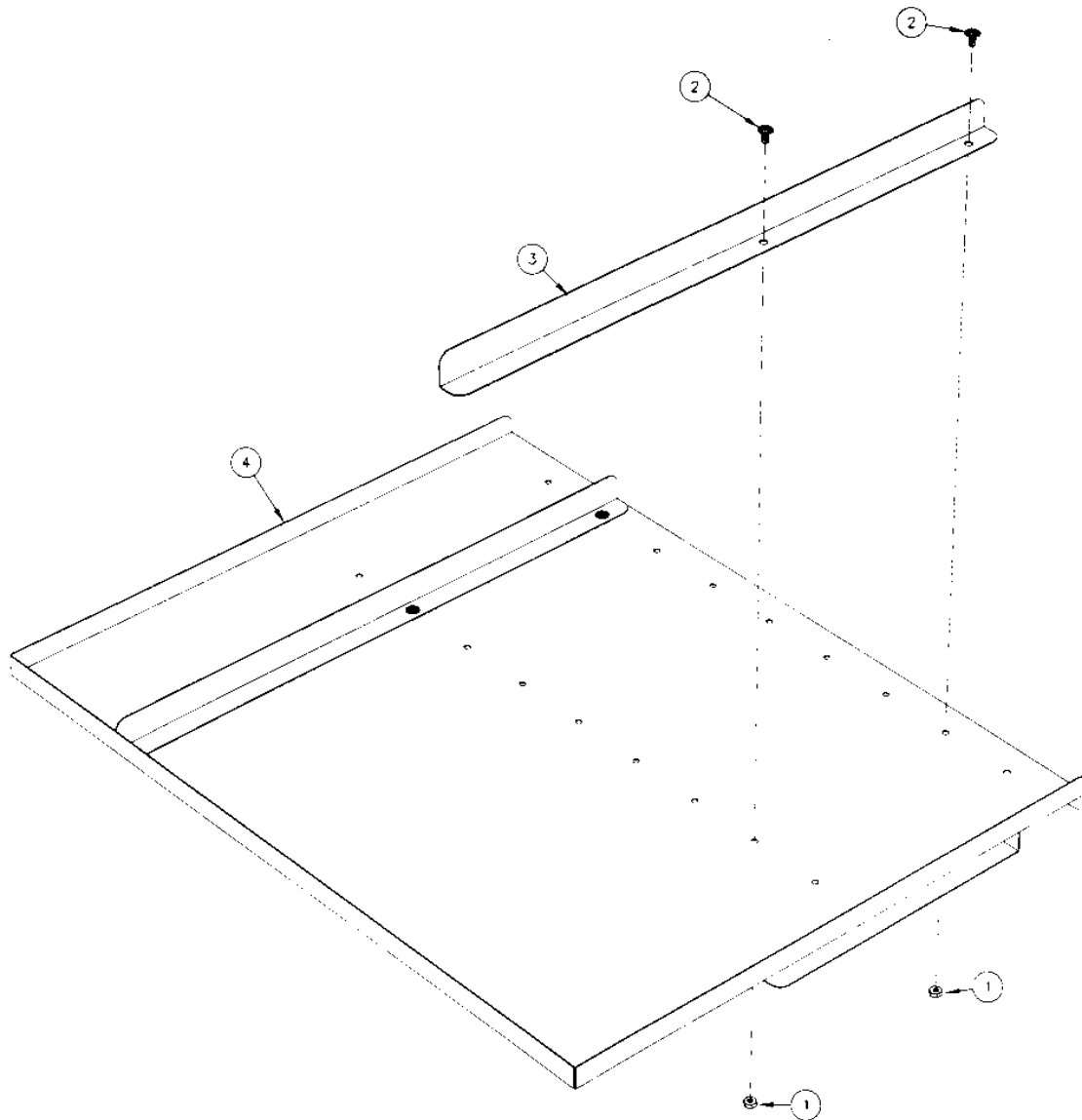


Shelf Assembly Illustration

4 - 1 Shelf Assembly

Item No.	Qty	Part No.	P/S	Description
4	3	33799	C	WELD ASSY., HOLDING PAN
3	9	33766	B	DIVIDER, HOLDING PAN
2	18	11475	A	SCREW, 10-32 X 3/8 TRUSS HD. SLT. S/S
1	18	10532	B	NUT, 10-32 SS ACORN

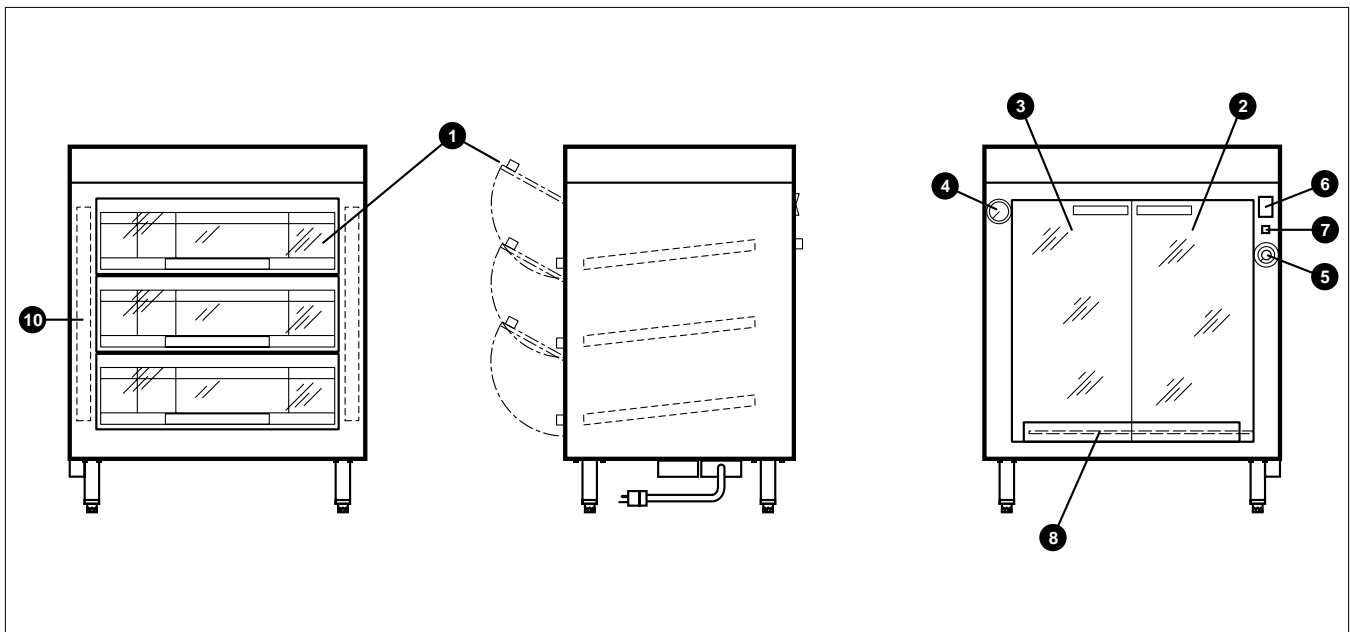
BILL OF MATERIALS PER KIT



Parts List *Models CR-5-HC and CHC-5*

5 - 1 Parts List

<i>Item No.</i>	<i>Part No.</i>	<i>Description</i>	<i>No. Req'd</i>	<i>Remarks</i>
1	33925	Front doors	1	
2	33931	Right Back Doors	1	
3	33932	Left Back Door	1	
4	40018	Thermometer	1	
5	24024	Thermostat	1 </td <td></td>	
6	21124	Power Switch	1	
7	22325 (120V)	Pilot Light	1	
8	21677	Element	1	
9	40014 (120V)	Ballast	1	
10	40015	Light Bulb	2	





Parts List *Models CR-5-HC and CHC-5*

5 - 2 Parts Ordering and Service Information

If you require repair or assistance, please contact your local Giles representative.
If you require further assistance, please contact our corporate office in Montgomery, Alabama at 1-800-288-1555.

Please have the following information available when calling for assistance. It may be helpful to record this information in the blanks provided below for a quick reference.

1. Model Number: _____
2. Serial Number: _____
3. Phase: _____
4. Voltage: _____
5. Nature of Problem: _____

The above information can be found on the Rating Plate located on the unit's back.

Wiring *Models CR-5-HC and CHC-5*

6 - 1 Wiring List

<i>Item No.</i>	<i>Part No.</i>	<i>Description</i>	<i>No. Req'd</i>	<i>Remarks</i>
1	22450	Plug, 120V 15AMP	1	
2	20150	Cord, SO 14/3 (96")	1	96" (243.8cm)
3	33203	Service Box	1	
4	21124	Switch, SP ST 120/240	1	
5	24024	Thermostat, 120V		1
6	22325	Pilot Light	1	
7	21677	Element, 120v 1250W	1	
8	23751	Terminal Block	1	
9	40014	Ballast, 120V	1	
10	40627	Lamp holder, Med, Bi-Pin	4	
11	40015	Light, 120V 20W 24" (61cm) Fluor.	2	
⊖	25275	Wire Nut, (Blue)	18	

Wiring Models CR-5-HC and CHC-5

6 - 2 Wiring Diagram CR-5-HC 120V

